

MERRYFAIR®



FULKRUM

Seating Products

Seating Excellence at Work

Ergonomic considerations namely, a ventilating mesh back, a fine-adjustable lumbar pad and a synchronized mechanism enables its user to work comfortably and efficiently from the desk over longer periods. The user becomes the center thus, fulcrum of workflow and information movement.

A Legacy in Design



2001

Fulkrum was born 18 years ago. It was Merryfair's first ever mesh chair and increased the company's visibility in the international market.

The first generation had a pair of distinctive glossy aluminium backbones that gave the seat a floating appearance too.



2005

The second generation was introduced with fixed loop armrests and a low backrest option as a basic entry model to expand the family range.



2019

The newest variant keeps Fulkrum updated to latest technical trends while maintaining its long lasting aesthetics. It features a weight-sensing auto tilt tension mechanism and adds seat depth adjustment.

The well loved Fulkrum is now available in many different variants to suit user needs and budgets.



FULKRUM

Synchron-Tilt Chairs

Headrest

Cushion Headrest, adjustable for 5cm in height. Headrest shells in black polypropylene (100% recyclable).

Backrest

A breathable polyester mesh suspension allows improved ventilation and transpiration, to provide exceptional thermal comfort. Backframe is moulded of resilient black polypropylene (100% recyclable).

Backbone

Backbone of die-cast aluminium (100% recyclable) in a luxurious polished finish (premium finish) or a glossy silver epoxy powder coating (standard finish).

Base

Stiletto base design is exclusive to Fulkrum, and allows extra clearance for your feet movement. This standard base is moulded of fibre-filled nylon in black colour (100% recyclable).

Optional base of die-cast aluminium (100% recyclable) in a highly-polished finish.

Hooded dual-wheel castors in black nylon. Optional glides available in place of castors, for visitor or conference applications.



Lumbar Support Pad

Lumbar support can be conveniently adjusted by side knobs, without getting up from chair, to customize the exact support for various spinal shapes.

Armrests

2-way armrest adjusts for 6cm in depth, and swivel into 3 angular positions. Also available in a 3-way armrest with an additional adjustment for 10cm in height.

Moulded of polypropylene and fibre-filled nylon in black colour (100% recyclable).

Chair Mechanism

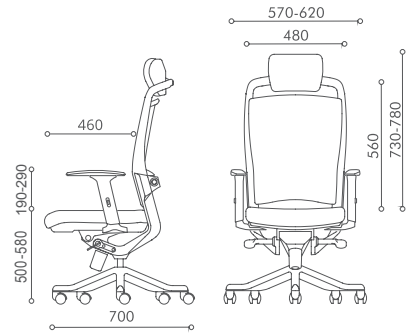
Synchro-Tilt chairs employ a synchronized mechanism with Tilt Tension Control, multi-position Tilt Lock, and pneumatic seat height control. Diecast aluminium and steel parts construction (100% recyclable).

Option for memory-return swivel column with fixed seat height, to leave a tidy, uniform chair arrangement in the conference room.

**Synchro-Tilt Ergonomic Chair
with 3-way adjustable armrest**

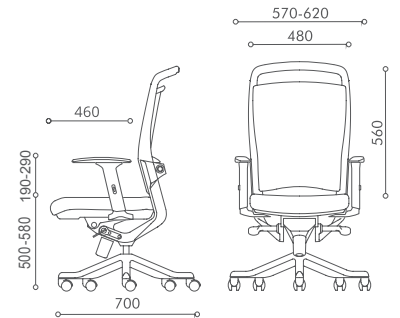
High Back

P069 YF B6S V



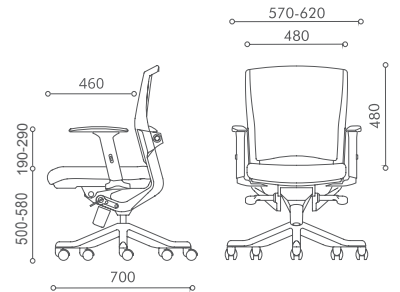
Mid Back

P068 YF B6S V



Low Back

P067 YF B6S V



Height Adjustable Headrest



Depth Adjustable Lumbar



Synchronized Mechanism



Pneumatic Seat Height Adjustable



Depth-Angle Adjustable Armpad
2-way adjustable armpad

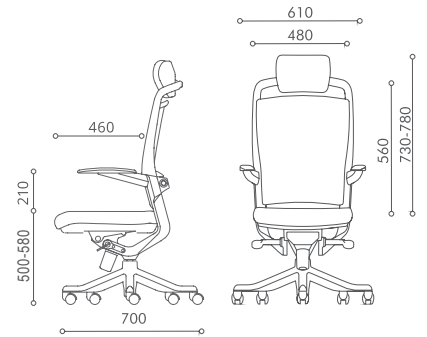


Height Adjustable Armrest

Synchro-Tilt Ergonomic Chair with 2-way adjustable Cantilever armrest

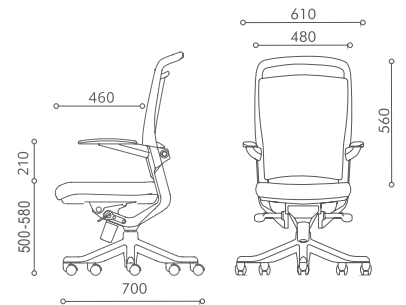
High Back

P069 YF B23 V



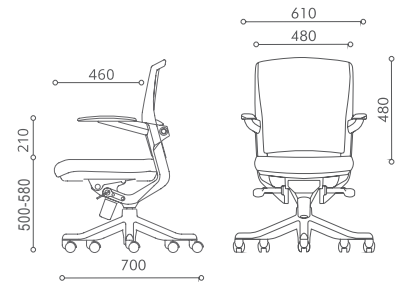
Mid Back

P068 YF B23 V



Low Back

P067 YF B23 V



Height Adjustable
Headrest



Depth Adjustable
Lumbar



Synchronized
Mechanism



Pneumatic Seat
Height Adjustable



Depth-Angle
Adjustable Armpad
2-way adjustable armpad



FULKRUM

Swivel-Tilt Chairs

Headrest

Cushion Headrest, adjustable for 5cm in height. Headrest shells in black polypropylene (100% recyclable).

Lumbar Support Pad

Lumbar support can be conveniently adjusted by side knobs, without getting up from chair, to customize the exact support for various spinal shapes.

Base

Stiletto base design is exclusive to Fulkrum, and allows extra clearance for your feet movement. This standard base is moulded of fibre-filled nylon in black colour (100% recyclable).

Optional base of die-cast aluminium (100% recyclable) in a highly-polished finish.

Hooded dual-wheel castors in black nylon. Optional glides available in place of castors, for visitor or conference applications.



Backrest

A breathable polyester mesh suspension allows improved ventilation and transpiration, to provide exceptional thermal comfort. Backframe is moulded of resilient black polypropylene (100% recyclable).

Armrests

Loop armrest is moulded of resilient polypropylene (100% recyclable) to add some flexibility to the backrest for tilting motion.

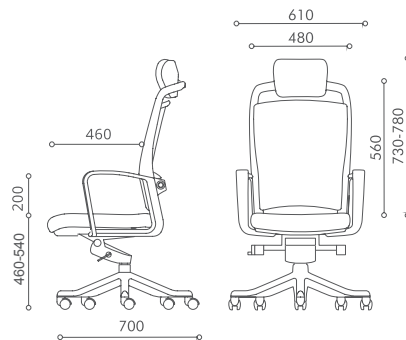
Chair Mechanism

Advanced Swivel-tilt chairs provide Tilt Tension Control, multi-position Tilt Lock, and pneumatic seat height control. Diecast aluminium and steel parts construction (100% recyclable).

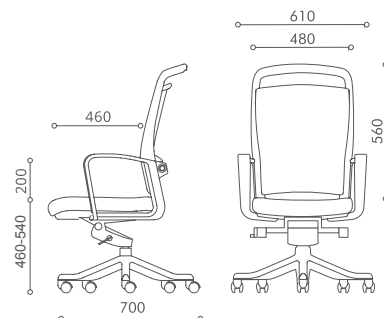
Option for memory-return swivel column with fixed seat height, to leave a tidy, uniform chair arrangement in the conference room.

**Advanced Swivel-Tilt Chair
with Multi-position Lock**

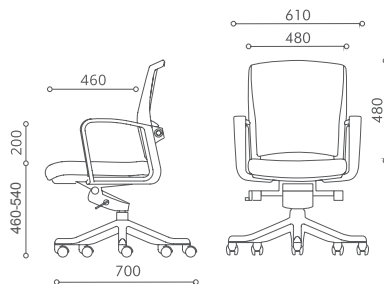
High Back
P069 KD A34 V



Mid Back
P068 KD A34 V



Low Back
P067 KD A34 V



Height Adjustable
Headrest



Depth Adjustable
Lumbar



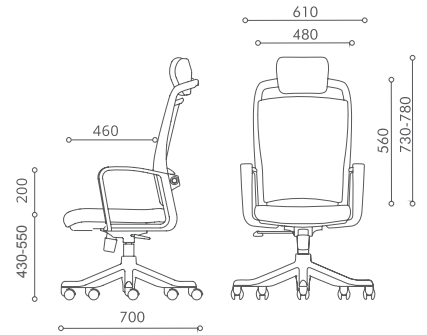
Advanced Tilt
Mechanism



Pneumatic Seat
Height Adjustable

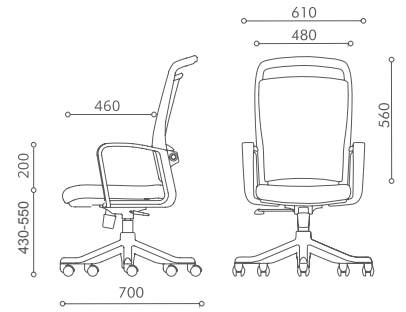
**Basic Swivel-Tilt Chair
with Upright Lock**

High Back
P069 SH A34 V



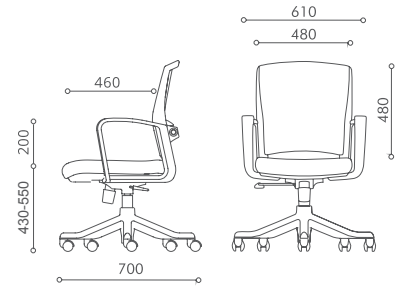
Mid Back

P068 SH A34 V



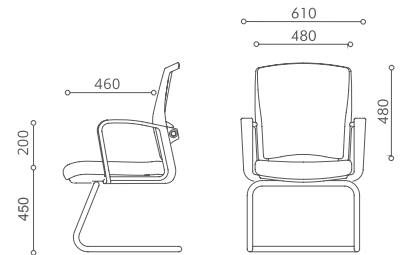
Low Back

P067 SH A34 V



Visitor Chair

P061 NA A34 S



Height Adjustable
Headrest



Depth Adjustable
Lumbar



Basic Tilt
Mechanism



Pneumatic Seat
Height Adjustable



FULKRUM

Auto Tilt Tension Chair

Headrest

Cushion Headrest, adjustable for 5cm in height. Headrest shells in black polypropylene (100% recyclable).

Backrest

A breathable polyester mesh suspension allows improved ventilation and transpiration, to provide exceptional thermal comfort. Backframe is moulded of resilient black polypropylene (100% recyclable).

Backbone

Backbone is moulded of fibre-filled nylon (100% recyclable) in charcoal colour.

Base

Stiletto base design is exclusive to Fulkrum, and allows extra clearance for your feet movement. This standard base is moulded of fibre-filled nylon in black colour (100% recyclable).

Optional base of die-cast aluminium (100% recyclable) in a highly-polished finish.

Hooded dual-wheel castors in black nylon. Optional glides available in place of castors, for visitor or conference applications.



Lumbar Support Pad

Lumbar support can be conveniently adjusted by side knobs, without getting up from chair, to customize the exact support for various spinal shapes.

Armrests

3-way armrest adjusts for 10cm in height, 6cm in depth, and swivel into 3 angular positions.

Moulded of polypropylene and fibre-filled nylon in black colour (100% recyclable).

Seat

Seat is adjustable for 6cm in depth. Shells are moulded of polypropylene (100% recyclable) in black colour.

Chair Mechanism

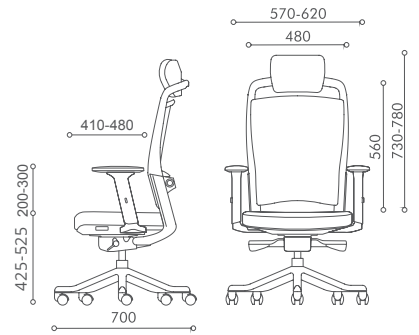
Auto Tilt-Tension mechanism self adjusts recline force to user's weight and offers multi-position Tilt Lock and pneumatic seat height control. Diecast aluminium and steel parts construction (100% recyclable).

Option for memory-return swivel column with fixed seat height, to leave a tidy, uniform chair arrangement in the conference room.

**Auto-Tilt Tension Chair
with 3-way adjustable armrest**

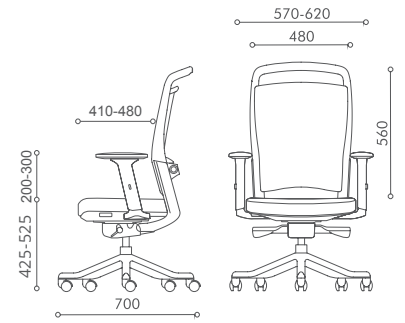
High Back

P069 YM A78 V



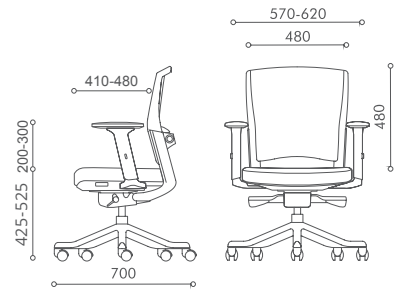
Mid Back

P068 YM A78 V



Low Back

P067 YM A78 V



Height Adjustable Headrest



Depth Adjustable Lumbar



Synchronized Mechanism



Pneumatic Seat Height Adjustable



Depth-Angle Adjustable Armpad
2-way adjustable armpad



Height Adjustable Armrest

Fulkrum: Options Armrest



2-way Adjustable
Armrest
(B23)



3-way Adjustable
Armrest
(B6S)



Loop Armrest
(A34)



3-way Adjustable
Armrest
(A78)

Mechanism



Auto Tension
Tilt Mechanism
(YM)



Synchronized
Tilt Mechanism
(YF)



Advanced Knee
Tilt Mechanism
(KD)



Knee Tilt
Mechanism
(KT)



Spring Head
Mechanism
(SH)

Backbone



Aluminium backbone
in silver epoxy
powder coating



Aluminium backbone
in polished finished

Base



350 Stiletto Base
(V)



Aluminium base in
polished finished
(VP)



Cantilever Base
(Silver)
(S)

HEAD OFFICE & FACTORY

Merryfair Chair System Sdn Bhd
(Co. No. 86276-A)
No.2, Jalan Koporat 1/KU9,
Taman Perindustrian Meru,
42200 Klang, Selangor D.E., Malaysia.

International Sales & Marketing
Tel. +603 3393 2888
Fax. +603 3393 2000
enquiry@merryfair.com

Domestic Sales & Marketing
Tel. +603 3393 6868
Fax. +603 3393 6888
domestic@merryfair.com

SHOWROOM OFFICE

Merryfair Marketing Sdn Bhd
(Co. No. 665054-V)
No. 82-84, Jalan 2/23A,
Jalan Genting Kelang,
53300 Kuala Lumpur, Malaysia.
Tel. +603 4149 8899
Fax. +603 4143 0113

REGIONAL OFFICE & SHOWROOM

美力菲 (中国) 家具有限公司
广东省佛山市顺德区容桂华口顺德高新区(容桂)华天路21号
邮编: 528306
Merryfair (China) Co.,Ltd
No. 21, Huatian Road, Shunde High Tech Industrial Zone
(Ronggui), Huakou Community, Ronggui Subdistrict,
Shunde District, Foshan City, Guangdong, China 528306.
Tel. +86 757 2636 9861
Fax. +86 757 2881 9700
domestic@merryfair.com.cn

Merryfair (Singapore) Pte Ltd
33 Ubi Avenue 3, #01-52/53 Vertex,
Singapore 408868.
Tel. +65 6284 9098
Fax. +65 6284 9028
enquiry@merryfair.com.sg

Merryfair (Thailand) Co.,Ltd.
19/1-2 Sithakarn, Soi Chidlom
Lumpini, Pathumwan
Bangkok 10330 Thailand
Tel : +66 2254 1588
Fax : +66 2254 1585
sales@merryfair.co.th

www.merryfair.com

