



# KADEN

Seating Products



### **Seating Excellence at Work**

Active seating can redefine your sitting experience. Instant comfort, easy height adjustment, and enhanced mobility. KADEN is designed to create a healthier and more comfortable experience throughout your work day.





Featuring smart and stylish design, KADEN aims to provide an enhanced seating experience at work, especially in the medical and lab environments. Sturdy design with added back support, KADEN is ideal for practically any sideways or forward-leaning tasks.

### Back

Grey or green polypropylene shell (100% recyclable) for ease of cleaning.

### Back Frame

Robust glass fibre-filled (100% recyclable) polypropylene frame in white colour.

### Mechanism

#### 3D Tilt

A revolutionary 3D tilt mechanism creates a sitting sensation akin to balancing on a stability ball. This gives the feeling of unrestricted movement.

#### Spring-Head

An optional Spring-Head mechanism with an upright position lock is available. Pneumatically adjusted seat height.

### Convenience Bar

Sturdy handle for moving chair around. Also doubles as a coat or bag hanger.

### Seat Upholstery

#### PVC Surface

Durable and low maintenance PVC allows for use in multiple environments.

#### Fabric Surface

Variety of colours available. Recyclable into carpet padding, wadding, etc.

#### Silicone Leather Surface

Optional Silicone leather is available for use in environments where cleanliness is crucial. Its features include chemical, UV light, hydrolysis, mildew, and abrasion resistance. It also has anti-fouling, flame retardant, and anti-allergic properties.

### Base

Durable Five star white polypropylene N3 base. (100% recyclable)



3D Tilt Mechanism



Spring-Head Mechanism

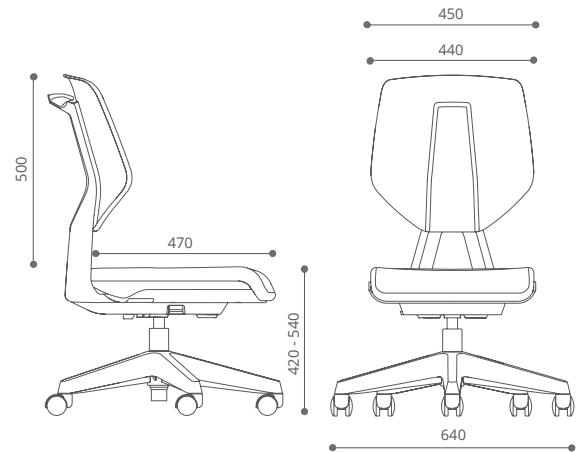


Pneumatic Seat Height Adjustment

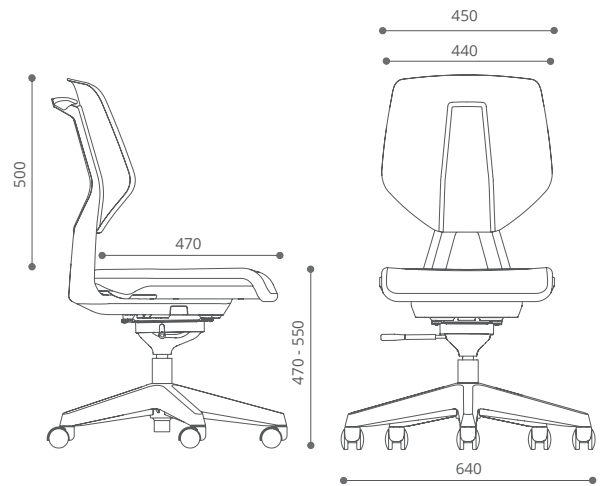
Design lives within the lines.  
No one can say that this chair  
appears “utilitarian”.



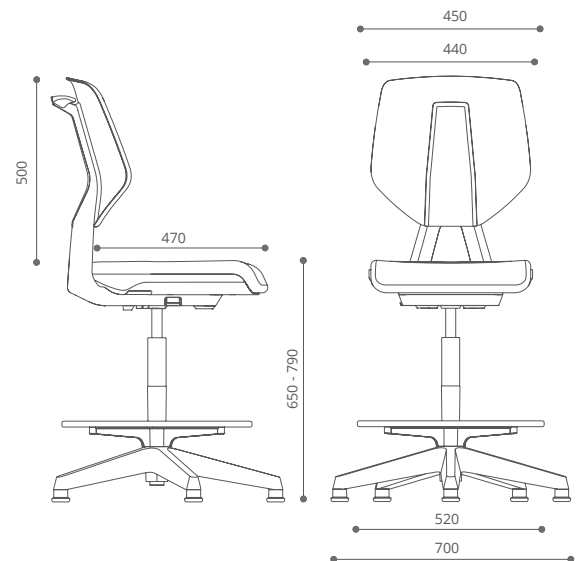
**Swivel Chair**  
1167P NA A00 N3



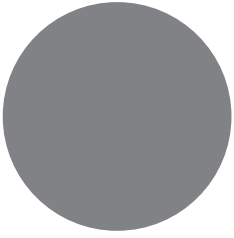
**Swivel 3D Tilt Chair**  
1167P H3 A00 N3



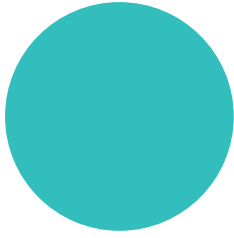
**Swivel High Chair**  
1167P NA A00 N2 D2



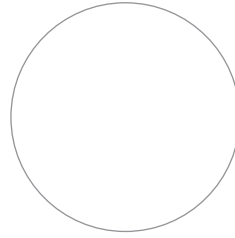
### Kaden: Options Backshell Colour



Grey



Green



Pure White

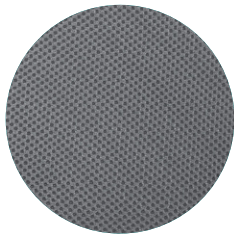
### Standard Backbone and Seat Shell

---

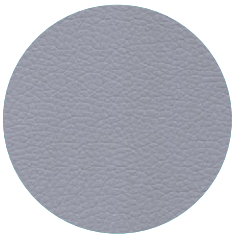
### Seat Upholstery Options



PVC



Fabric



Silicone Leather

---

### Mechanism

**3D Tilt Mechanism\***  
(H3)**Spring-Head Mechanism\***  
(SJ)

\* Not advisable for use with drafting chair version.

arma®