

arma®



MOBBY

Seating Products



Customisable Foldable Chair

Mobby is lively, mobile and unpretentious little fella with a colourful personality. You can easily move it around for an impromptu breakout session, or store them away when you need the space for something else. Eye-catching mesh-like shells in popular colour options gives a smart look to suit all venues, from seminar rooms to cafeteria. Its versatile enough to suit educational, teaming and conference applications.



Mobby's versatility is great enough to suit educational, training and conference applications.

Environmental

Almost all components (up to 96% in 641FDA64H4) can be easily disassembled using normal tools and separated into 100% recyclable materials (PP, aluminum, steel). Recycled material content is also used in manufacture where possible (up to 25% for 641FDA64H4). No PVC is used.

Safety & Durability

Mobby is designed and certified to BIFMA X5.1:2002 standards for durability and safety.

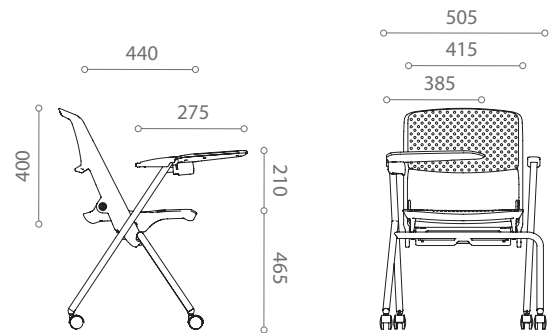


Quality Specifications

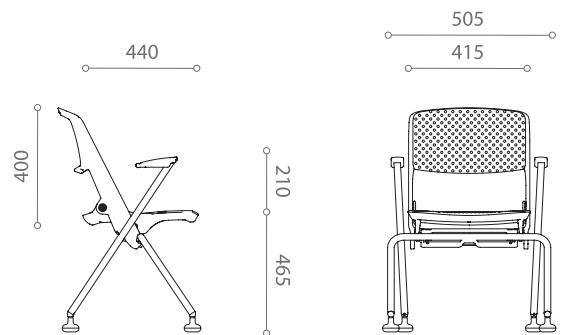
Perforated-design back shell and seat shell of polypropylene in 4 standard colour options. Optional upholstered seat or back padding will use shells in black colour.

Back frame and seat frame of polypropylene in Black. Optional upholstered seat and back padding in fabric, leather or vinyl on 20mm polyurethane foam. Worn out pads can be replaced on site, using a common screwdriver. Frame and legs of 25mm diameter tubular steel in silver epoxy powder-coat. Armcaps of polypropylene in black colour. Tablet shell in black ABS. Tablet mechanism of diecast aluminum in black powder-coat finish. Polypropylene 5-star base in Black colour. 50mm diameter dual-wheel Castors in black polyamide.

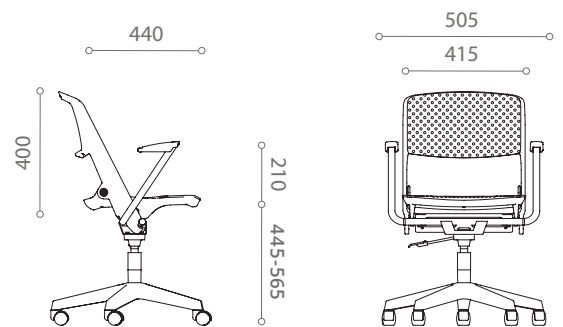
4-leg With Castor



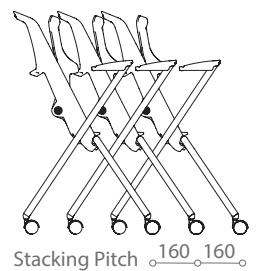
4-leg With Stud



Swivel Base With Gas-Lift



Stacking Pitch



Frame Option

4-leg with Castor



Without Armrest
64_FD A00 H4



With Right Arm & Tablet
64_FD WR1 H4



With Armrests
64_FD A64 H4



With Arm & Tablet
64_FD AW1 H4

Frame Option

Swivel Base With Gas-Lift



Without Armrest
64_FD A00 N3



With Right Arm & Tablet
64_FD WR1 N3



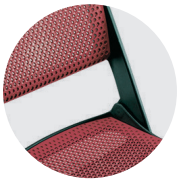
With Armrest
64_FD A64 N3



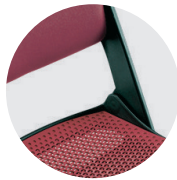
With Arm & Tablet
64_FD AW1 N3

Seat & Back Options

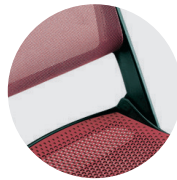
Plastic Seat



Plastic Back
641_FD A00 H4



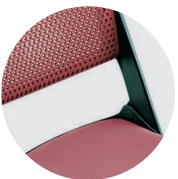
Padded Back
642_FD A00 H4



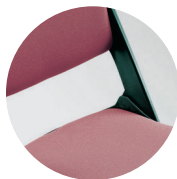
Mesh Back
643_FD A00 H4

Seat & Back Options

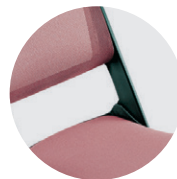
Padded Seat



Plastic Back
644_FD A00 H4

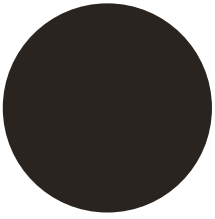


Padded Back
645_FD A00 H4

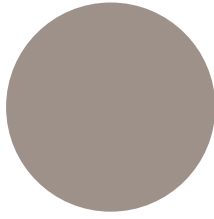


Mesh Back
646_FD A00 H4

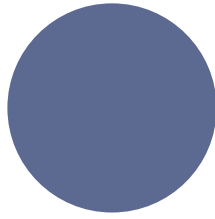
Mobby: Options
PP Shell Colour



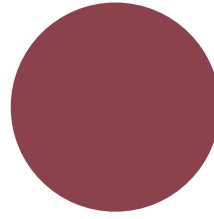
Black
(B)



Taupe
(T)



Blue
(U)



Burgundy
(D)



arma®