



SPINELLY

Seating Products



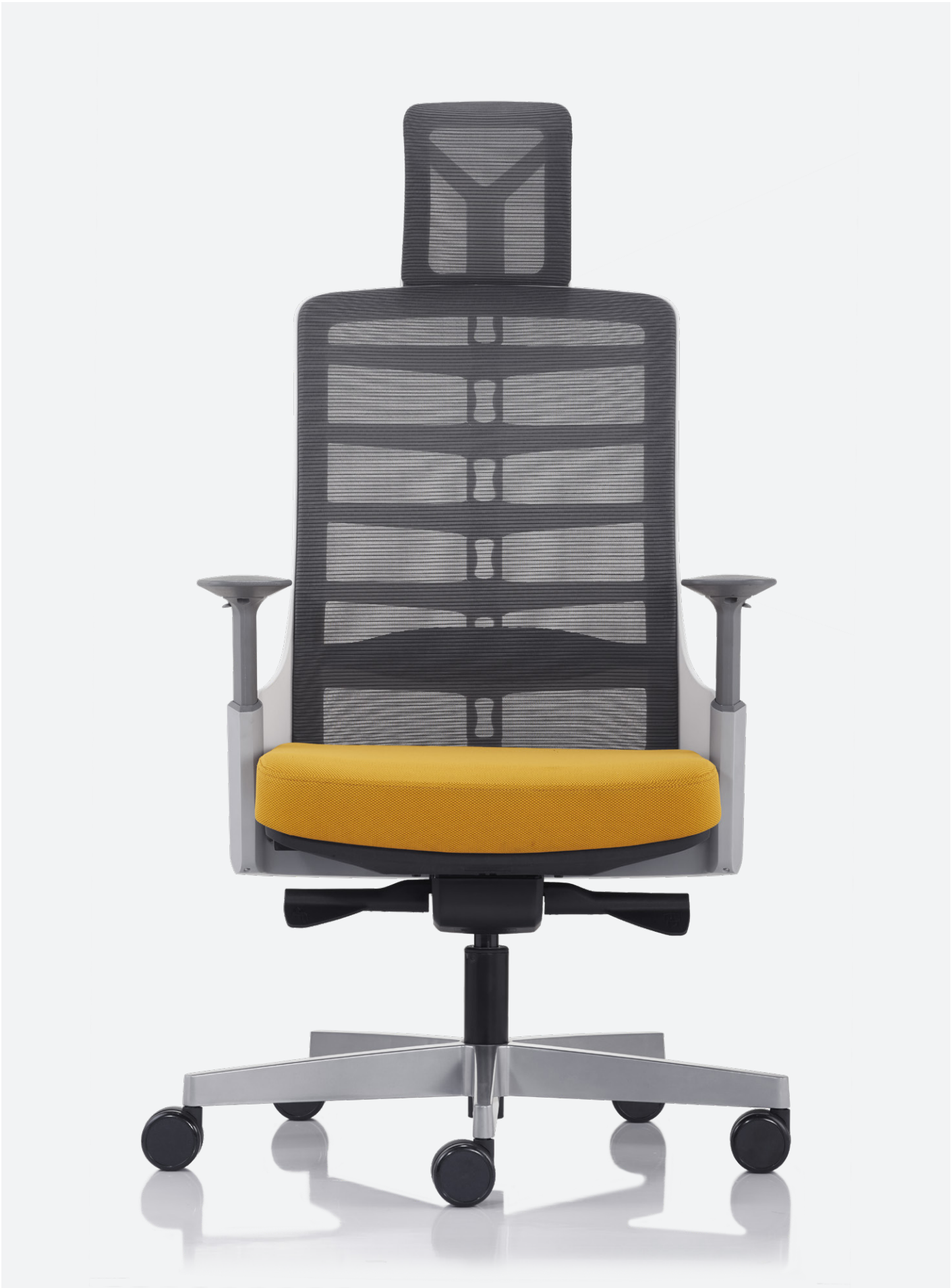
Sense and Flexibility

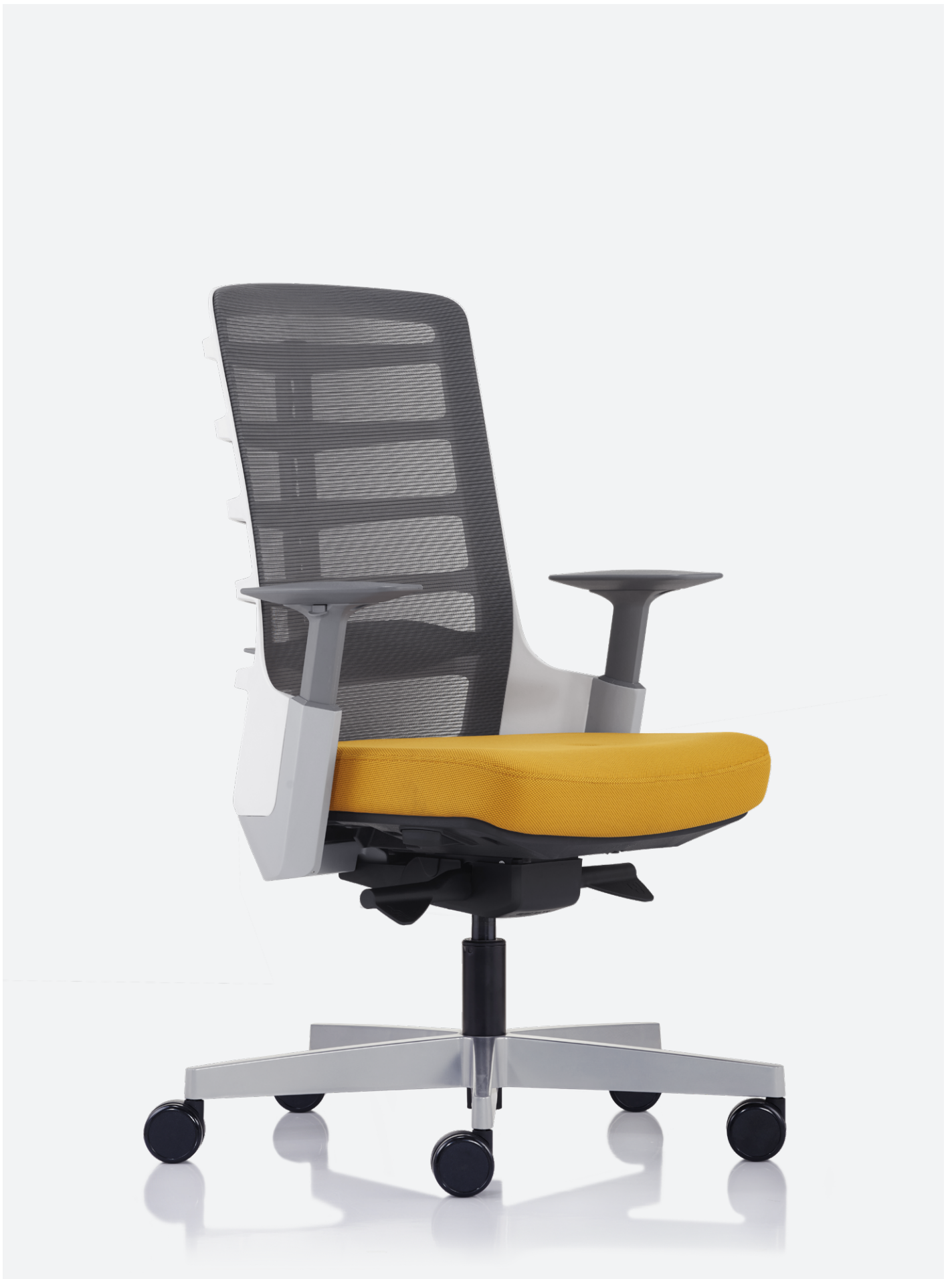
Our spine is one of the most important part of our body that gives us structure and support. It plays a vital role to enable us to perform simple tasks like standing up and sitting upright. Spinelly's inspiration comes from the structure of the human vertebrae. The idea is to create a chair that simulates the support of the spine. Spinelly is available in two colours, black for a polished and sleek look, white for a fun and edgy office setting.





Our aim is to create a back that moves with you. Spinelly's flexible back allows for active seating. This is achieved through a unique rib design in conjunction with an elastomer spine system. The chair is also equipped with a weight sensing mechanism which adjusts the recline resistance automatically according to the user's weight.







Headrest

Polypropylene (100% recyclable) frame in black or white colour option. Polyelastomer/Nylon/ Polyester mesh in Jet grey colour.

Backrest

Height-adjustable lumbar support with a range of 55mm. Polypropylene (100% recyclable) frame in black or white colour option. Spinal joints of thermoplastic elastomer in grey colour. Polyelastomer/Nylon/ Polyester mesh in Jet grey colour

Base

695mm diameter diecast aluminum (100% recyclable) in polished finish or matt silver epoxy-coating option.

Castor

65mm diameter dual-wheel in black Nylon.

Soft-touch Armpad

Integral moulded polyurethane in grey colour.

Armrest

Height-adjustable for a range of 100mm. Glass-fibre filled (100% recyclable) polypropylene in grey colour. Mechanism parts in polyacetal.

Seat

Depth-adjustable for a range of 50mm. Polypropylene (100% recyclable) shell in black colour. Fabric or leather upholstery over moulded polyurethane foam.

Mechanism

A weight-sensing mechanism auto-adjusts recline resistance according to user weight. Provides Tilt-lock, Seat height and Seat depth adjustment. Diecast aluminum structure with steel and nylon parts, in black colour only.





Safety & Durability

Spinelly is designed and certified to BIFMA X5.1 and EN-1335 standards for safety and durability.

Recyclability

Spinelly is manufactured using up to 29% pre-consumer and 11% post-consumer material. At the end of life, up to 62% of Spinelly can be recycled.

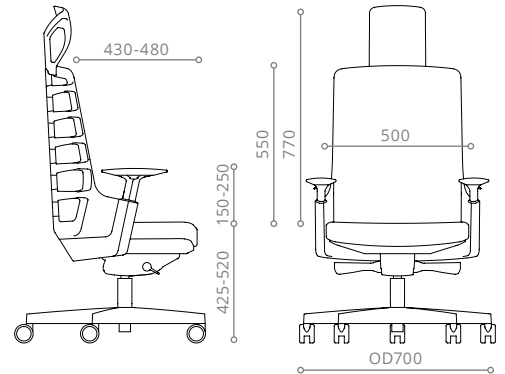


Models**999B YMA77NP**

High back in black

**999P YMA77NG**

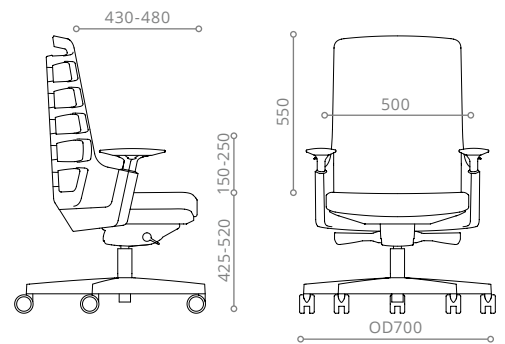
High back in white

**998B YMA77NP**

Mid back in black

**998P YMA77NG**

Mid back in white



arma®